

WIDE WINDOW FULL HD NETWORK VERSION MIRADOR

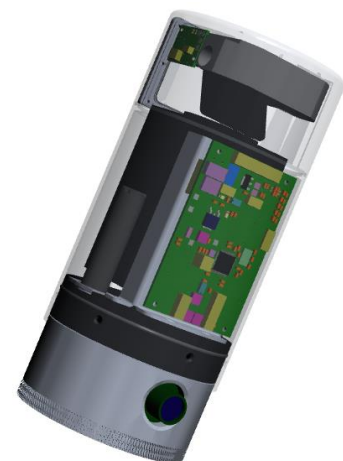
Made by Cornelese Technical Systems B.V.

Introduction of two new **High-Sensitivity, High-Quality Cylinder Cameras** incorporate new **Sony 1/2.8-type Exmor R™ CMOS Sensor** which provides **Full HD Video with Extraordinary Sensitivity**.



Features

- Sony 1/2.8-type Exmor R™ CMOS Sensor
- Extraordinary Sensitivity
- Full HD 1920 x 1080
- IP Network
- Onvif
- Continuous 360-degree Rotation, with +/- 20 degree Tilt.
- Waterproof Enclosure (IP67).
- Gas sealed with Dry Nitrogen.
- 30x or 20x Optical Zoom



The **MiradorHD serie** is a **fully sealed, Gas filled Waterproof Colour Camera** rated up to **IP67 ! Now with 16:9 Window**.

Due to its unique mechanical design the **Mirador** has the ability for **continuous unlimited 360-degree rotation**. The **MiradorHD7320IP** camera incorporates with the **Sony FCB-EV7320P** Camera Module having a **20x Optical Zoom "SMART" lens** and **MiradorHD7520IP** with **FCB-EV7520P 30x Optical Zoom**.

High Sensitivity Mode allows images to be captured at a minimum Illumination of up to Colour : **0.01 lx**, features a high telephoto zoom capability and image stabiliser* function (*FCB-EV7520 only), allowing users to zoom in on small or distant objects with exceptional clarity and stability.

Order Information

- MiradorHD7320IP** - Optical Zoom **x20**
- MiradorHD7520IP** - Optical Zoom **x30**



Specifications Sony FCB-EV7320

- Imager sensor : 1/2.8-type **Exmor R CMOS**
Approx. 2.13 MP
- Lens : f = **4.7 mm** (wide) to **94.0 mm** (tele)
F1.6 to F3.5
- Zoom : **20x** Optical Zoom
- Digital zoom : 12x (240x with optical zoom)
- Horizontal viewing angle :
1080p mode: **59.5°** (wide end) to **3.3°** (tele end)
720p mode : **59.5°** (wide end) to **3.3°** (tele end)
SD Mode : **44.6°** (wide end) to **2.5°** (tele end)
- Picture quality : Full HD 1080p (1920 x 1080)
- Minimum illumination* : **Colour: 0.1 lx (F1.6, AGC on, 1/30s) (*) Normal Mode**
- Minimum illumination* : **Colour 0.01 lx (F1.6, AGC on, 1/30s) (*) High Sensitivity Mode**
- Video output (HD) : **HD-SDI (BNC)**
- Video Output (CVBS) : **System Cable**

Camera Modes

- De-fog
- HLC (High Light Compensation)
- Wide-D (Wide Dynamic range) (120 dB)
- Image stabilizer : **NO**
- Stable Zoom : **YES**
- Auto ICR (Auto IR-cut Filter Removal)
- Spherical privacy zone masking
- Noise reduction (6 steps)
- Slow AE response
- Camera control interface : VISCA (CMOS 5 V level), Baud rate: 9.6 Kbps, 19.2 Kbps, 38.4 Kbps, 115.2 Kbps, Stop bit: 1 bit

General

- Power requirements : 6.0 V to 12.0 V DC
- Power Consumption : **3.2 W** (zoom/focus inactive) / **3.6 W** (zoom/focus active)

Specifications Sony FCB-EV7520

- Imager sensor : 1/2.8-type **Exmor R CMOS**
Approx. 2.13 MP
- Lens : f = **4.3 mm** (wide) to **129.0 mm** (tele)
F1.6 to F4.7
- Zoom : **30x** Optical Zoom
- Digital zoom : 12x (360x with optical zoom)
- Horizontal viewing angle :
1080p mode: **63.7°** (wide end) to **2.3°** (tele end)
720p mode : **63.7°** (wide end) to **2.3°** (tele end)
SD Mode : **47.8°** (wide end) to **1.7°** (tele end)
- Picture quality : Full HD 1080p (1920 x 1080)
- Minimum illumination* : **Colour: 0.1 lx (F1.6, AGC on, 1/30s) (*) Normal Mode**
- Minimum illumination* : **Colour 0.01 lx (F1.6, AGC on, 1/30s) (*) High Sensitivity Mode**
- Video output (HD) : **HD-SDI (BNC)**
- Video Output (CVBS) : **System Cable**

Camera Modes

- De-fog
- HLC (High Light Compensation)
- Wide-D (Wide Dynamic range) (120 dB)
- Image stabilizer : **YES**
- Stable Zoom : **YES**
- Auto ICR (Auto IR-cut Filter Removal)
- Spherical privacy zone masking
- Noise reduction (6 steps)
- Slow AE response
- Camera control interface : VISCA (CMOS 5 V level), Baud rate: 9.6 Kbps, 19.2 Kbps, 38.4 Kbps, 115.2 Kbps, Stop bit: 1 bit

General

- Power requirements : 6.0 V to 12.0 V DC
- Power Consumption : **3.2 W** (zoom/focus inactive) / **4.0 W** (zoom/focus active)

This Video Surveillance product available in the world (International sales : specialised Security and Audio Video applications) by :



GB LMW (Consulting) Ltd